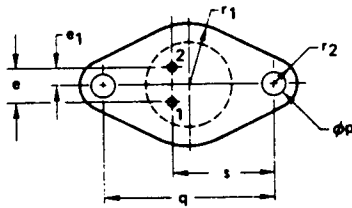
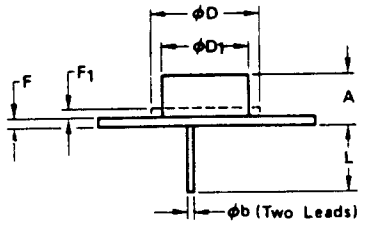


NOTES :

1. REFER TO APPLICABLE SYMBOL LIST.
2. DIMENSIONING AND TOLERANCING PER ANSI Y14.5 - 1973.
3. PACKAGE CONTOUR OPTIONAL WITHIN DIMENSIONS SPECIFIED.
4. DIMENSION DOES NOT INCLUDE SEALING FLANGES.
5. CONTROLLING DIMENSIONS: INCH.

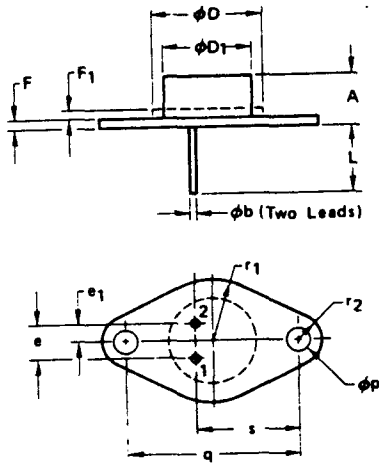


VARIATIONS (ALL DIMENSIONS SHOWN IN MILLIMETERS)

SYMBOL	AA		NOTE	AB		NOTE	AC		NOTE	MIN.	MAX.	NOTE
	MIN.	MAX.		MIN.	MAX.		MIN.	MAX.				
A	6.35	8.63		6.35	8.63		6.4	9.0				
ϕb	.712	.863		.712	.86		.712	.86				
ϕD	-	15.74	3	-	15.74	3	-	15.74	3			
ϕD_1	11.94	12.70		11.94	12.70		11.94	12.70				
e	4.83	5.33		4.83	5.33		4.83	5.33				
e_1	2.37	2.71		2.37	2.71		2.37	2.71				
F	1.27	1.90	4	.51	1.01	4	2.16	2.59	4			
F_1	-	1.27	3	-	1.27	3	-	1.27	3			
L	9.15	-		9.15	-		9.15	-				
ϕp	3.61	4.08		3.61	4.08		3.61	4.08				
q	24.13	24.63		24.13	24.63		24.13	24.63				
r_1	-	8.89		-	8.94		-	8.94				
r_2	-	3.68		-	3.73		-	3.73				
s	14.48	14.98		14.48	14.98		14.48	14.98				
NOTE	1, 2, 5			1, 2, 5			1, 2, 5					
REF.	TO-66			TO-123			TO-124					
ISSUE	A SEPT 76			A SEPT 76			A SEPT 76					
JEDEC SOLID STATE PRODUCT OUTLINES			TITLE FLANGE MOUNTED HEADER FAMILY .508 PIN SPACING			ISSUE A		DATE 9/7/76		TO-213 VARIATION AA THRU AC		

NOTES :

1. REFER TO APPLICABLE SYMBOL LIST.
2. DIMENSIONING AND TOLERANCING PER ANSI Y14.5 - 1973.
3. PACKAGE CONTOUR OPTIONAL WITHIN DIMENSIONS SPECIFIED.
4. DIMENSION DOES NOT INCLUDE SEALING FLANGES.
5. CONTROLLING DIMENSIONS: INCH.



VARIATIONS

(ALL DIMENSIONS SHOWN IN INCHES)

SYMBOL	VARIATIONS (ALL DIMENSIONS SHOWN IN INCHES)												
	AA		NOTE	AB		NOTE	AC		NOTE	MIN.	MAX.	NOTE	
	MIN.	MAX.		MIN.	MAX.		MIN.	MAX.					
A	.250	.340		.250	.340		.250	.355					
ϕ_b	.028	.034		.028	.034		.028	.034					
ϕ_D	-	.620	3	-	.620	3	-	.620	3				
ϕ_{D1}	.470	.500		.470	.500		.470	.500					
e	.190	.210		.190	.210		.190	.210					
e_1	.093	.107		.093	.107		.093	.107					
F	.050	.075	4	.020	.040	4	.085	.102	4				
F_1	-	.050	3	-	.050	3	-	.050	3				
L	.360	-		.360	-		.360	-					
ϕ_P	.142	.161		.142	.161		.142	.161					
q	.950	.970		.950	.970		.950	.970					
r_1	-	.350		-	.352		-	.352					
r_2	-	.145		-	.147		-	.147					
s	.570	.590		.570	.590		.570	.590					
NOTE	1, 2, 5			1, 2, 5			1, 2, 5						
REF.	TO-66			TO-123			TO-124						
ISSUE	A SEPT 76			A SEPT 76			A SEPT 76						
JEDEC SOLID STATE PRODUCT OUTLINES				TITLE FLANGE MOUNTED HEADER FAMILY .200 PIN SPACING				ISSUE A		DATE 9/7/76		TO-213 VARIATION AA THRU AC	