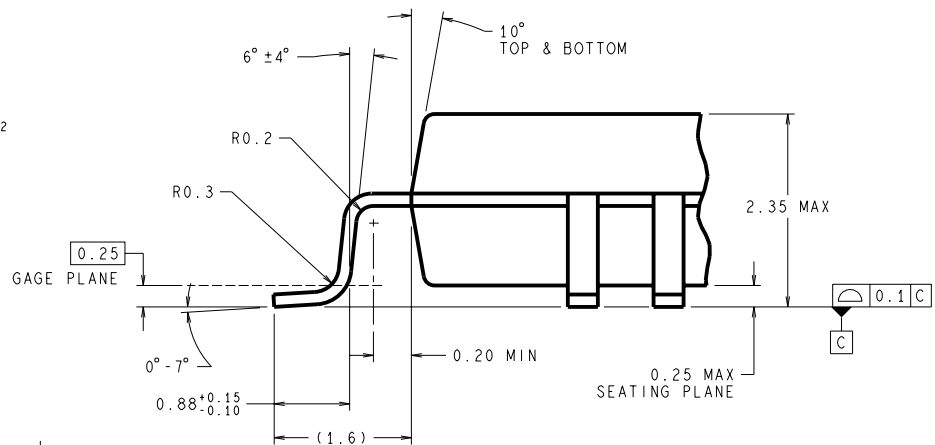
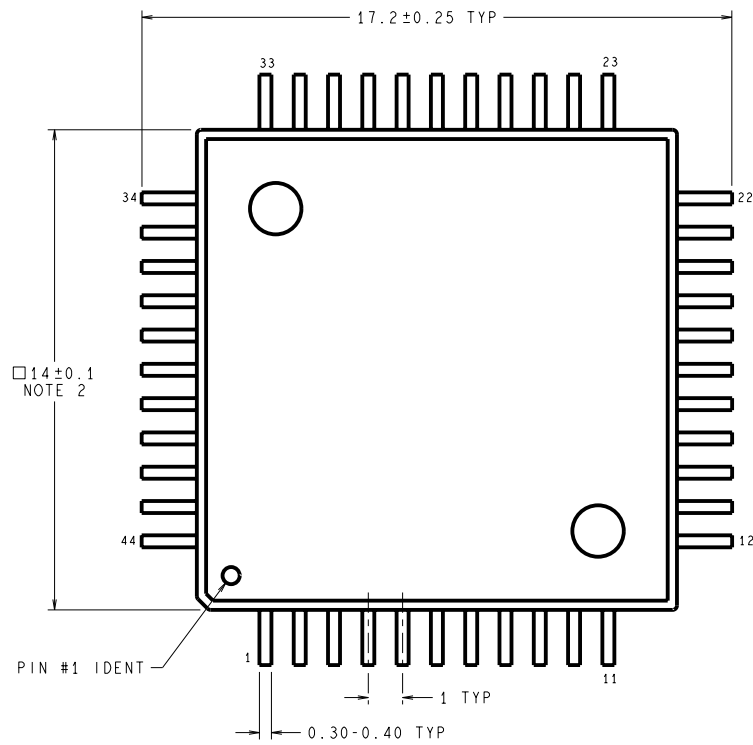
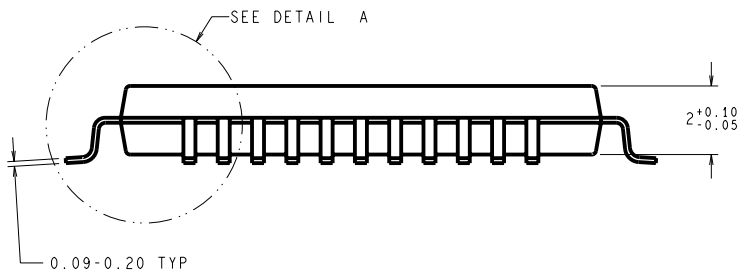


REVISIONS				
LTR	DESCRIPTION	E.C.N.	DATE	BY/APP'D
A	RELEASE TO DOCUMENT CONTROL	11669	02/25/1997	MS/



DETAIL A  
TYP. SCALE: 25X



DIMENSIONS ARE IN MILLIMETERS

NOTES: UNLESS OTHERWISE SPECIFIED

- STANDARD LEAD FINISH:  
7.62 MICROMETERS MINIMUM SOLDER PLATING (85/15)  
THICKNESS ON COPPER.
- DIMENSION DOES NOT INCLUDE MOLD PROTRUSION.  
MAXIMUM ALLOWABLE MOLD PROTRUSION 0.25mm PER SIDE.
- EQUIVALENT TO JEDEC REGISTRATION MS-022,  
VARIATION BA (52 LD) MINUS 8 LEADS.

APPROVALS		DATE	National Semiconductor			
DRAWN	MARTA SUCHY	02/25/1997	2900 Semiconductor dr., Santa Clara, CA 95052-8090			
DFTG. CHK.			<b>POFP, 14 X 14 X 2.0mm, 44 LEAD</b>			
ENGR. CHK.						
		SCALE	SIZE	DRAWING NUMBER	REV	
		N/A	C	(SC)MKT-VJP44A	A	
DO NOT SCALE DRAWING				SHEET 1 of 1		