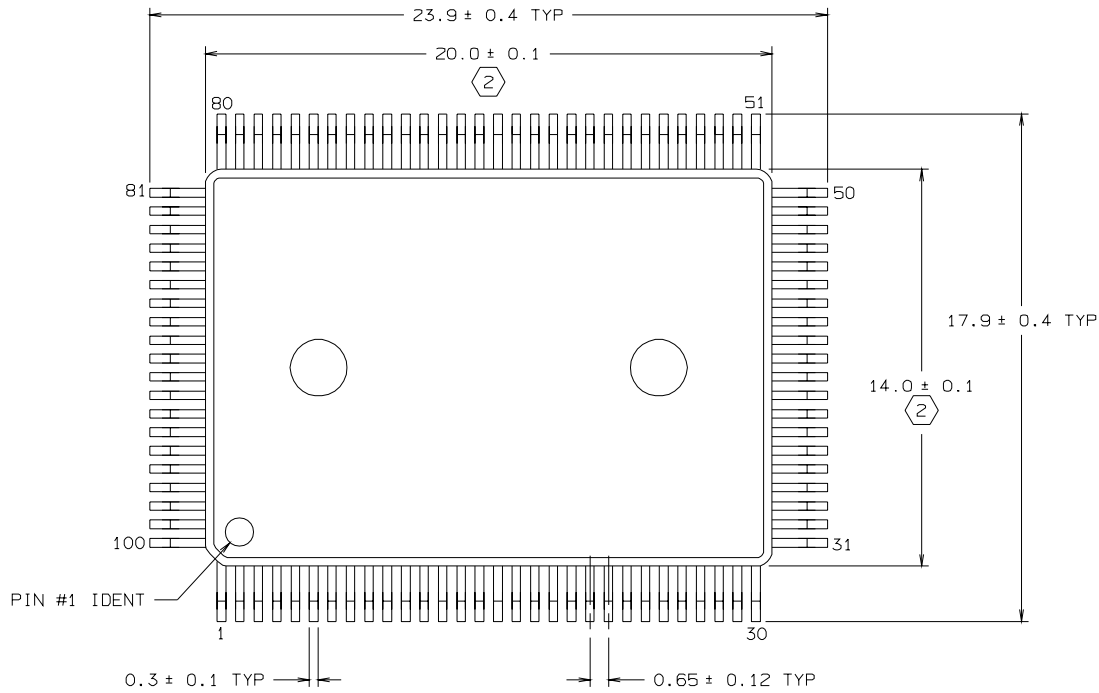
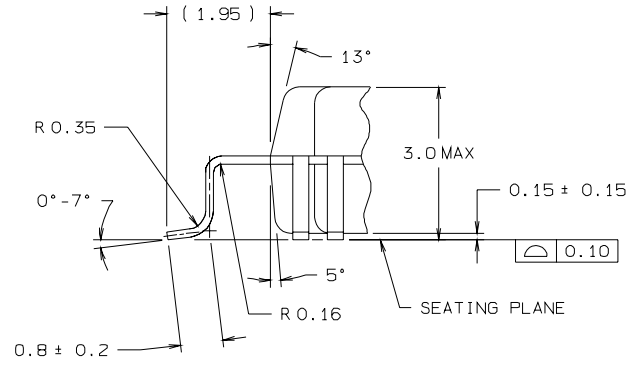
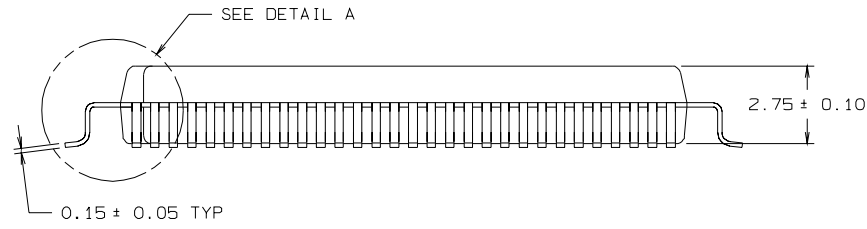


REVISIONS				
LTR	DESCRIPTION	E.C.N.	DATE	BY/APP'D
A	RELEASE TO DOCUMENT CONTROL	09294	09/09/92	MS/



PIN #1 IDENT



DETAIL A  
TYPICAL

NOTES: UNLESS OTHERWISE SPECIFIED

- STANDARD LEAD FINISH:  
5.08 MICROMETERS MINIMUM SOLDER THICKNESS ON ALLOY 42 OR COPPER.
- DIMENSION DOES NOT INCLUDE MOLD PROTRUSION.  
MAXIMUM ALLOWABLE MOLD PROTRUSION 0.25mm PER SIDE.
- REFERENCE SHINKO QFP-100 PIN (CL10001FK-ES, DATED 11/28/87).

DIMENSIONS ARE IN MILLIMETERS

APPROVALS	DATE	NATIONAL SEMICONDUCTOR CORPORATION		
DRAWN MARTA SUCHY	09/09/92	2900 Semiconductor Drive, Santa Clara, CA 95052-8090		
DFTG. CHK.		PQFP, (S),		
ENGR. CHK.		14 X 20 X 2.75 mm,		
APPROVAL		100 LEAD		
PROJECTION	SCALE	SIZE	DRAWING NUMBER	REV
	N/A	C	MKT-VLK100A	A
DO NOT SCALE DRAWING		SHEET 1 OF 1		