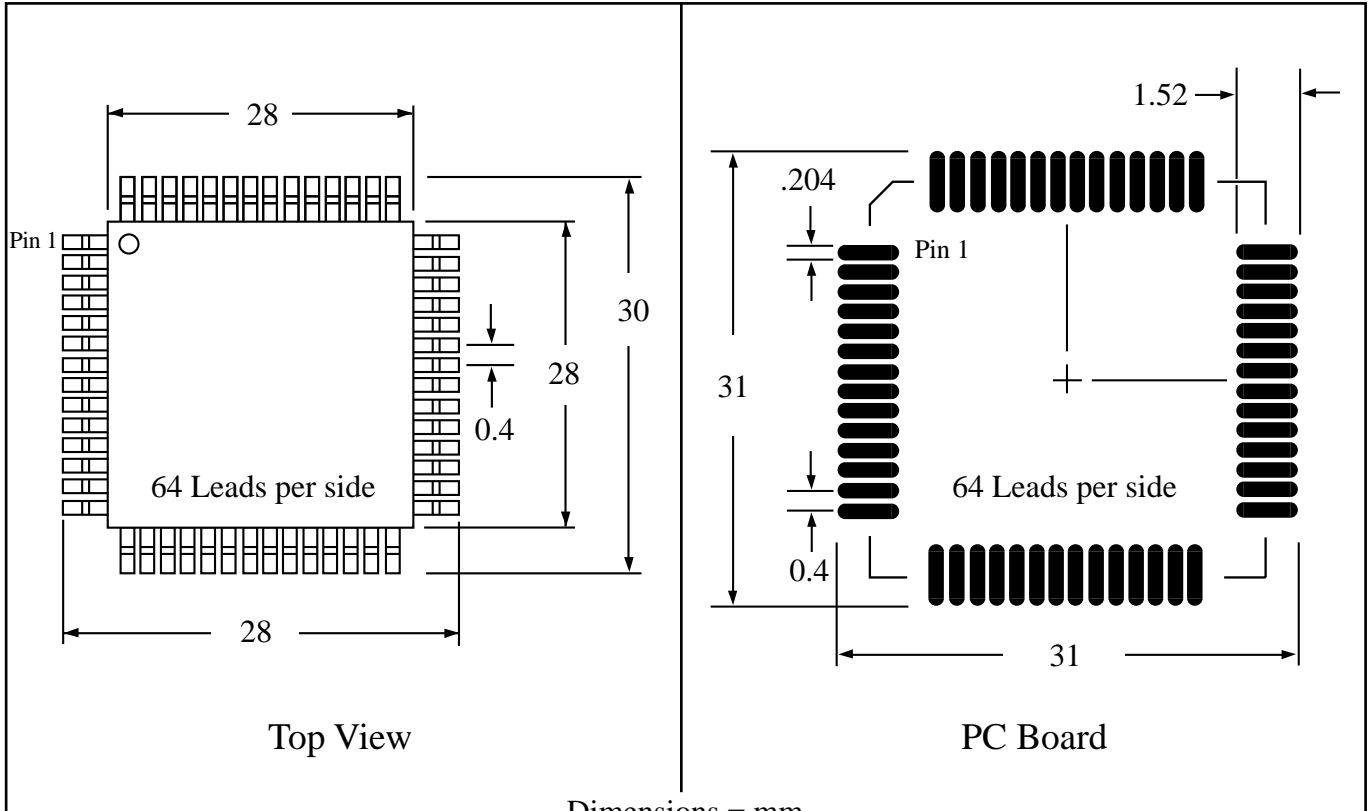


Part # **LQFP256T15.7-2.0**
 Leads **256** Pitch **0.4mm**
 Body Size **28mmSQ**

TopLine™
 Tel 1-714-898-3830
 info@toplinedummy.com

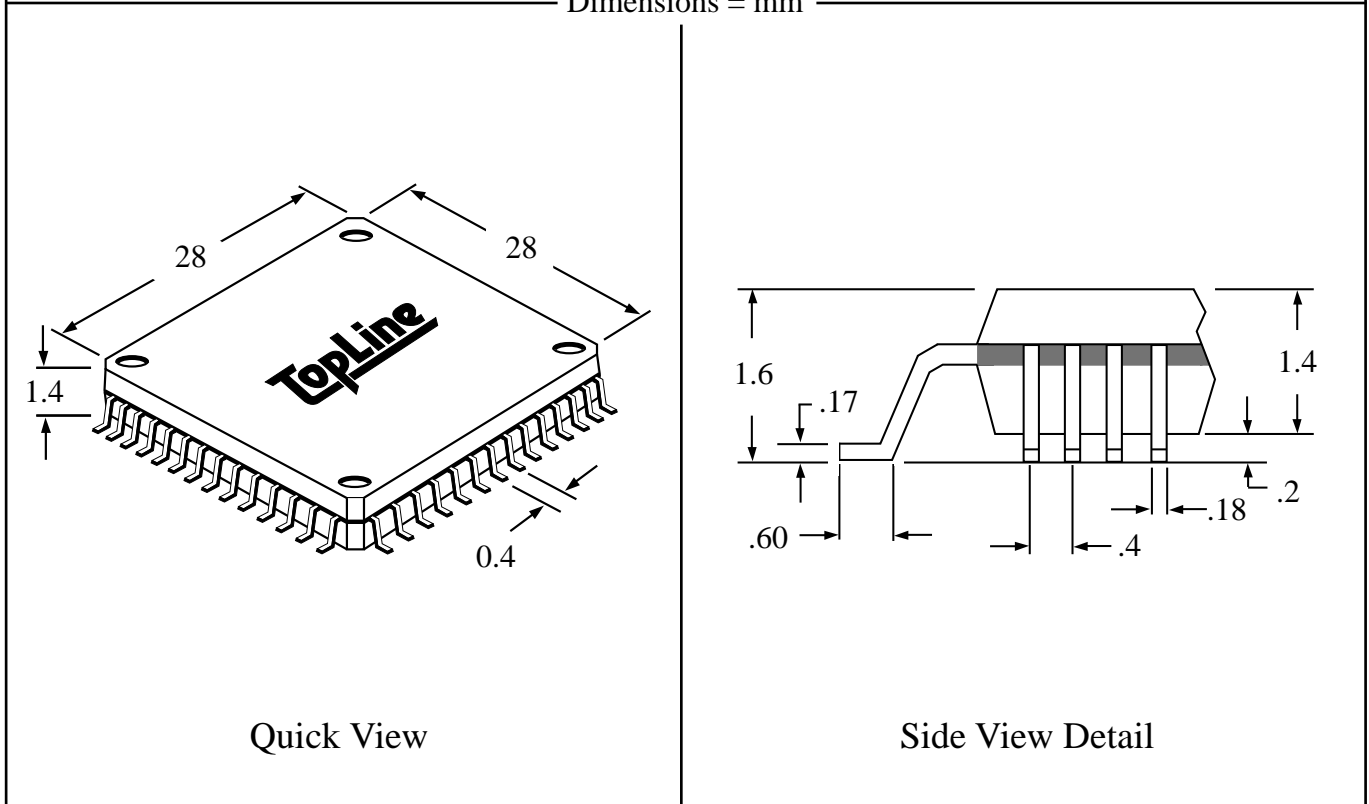
Dwg LQ256P4.pdf



Top View

PC Board

Dimensions = mm



Quick View

Side View Detail